



## Fireplace Colisa

### General data and commercial

Model: Colisa  
RS: A/20  
Weight: 130 Kg.  
Width: 1271 mm.  
Height: 2900 mm.  
Long: 914 mm.

### Construction details and material

**Fireplace:** Set made of sheet steel polished 3 and 10mm thick.

**Tube:** Made of sheet steel polished 2mm thick.

**Ashes tray:** Made of plate steel polished 1mm thick.

**Grill:** Made of cast iron GG-20 pearlitic.

**Interior Section:** Made of plate steel polished 4mm thick. Between the inside section and the hood there is an air chamber.

**Painting:** The set is painted with glaze anticaloric-component, with colour matte black, with a thermal resistance of 950 ° C.

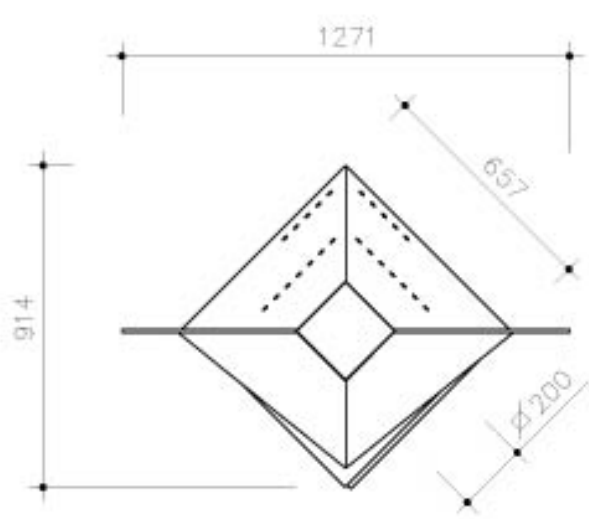
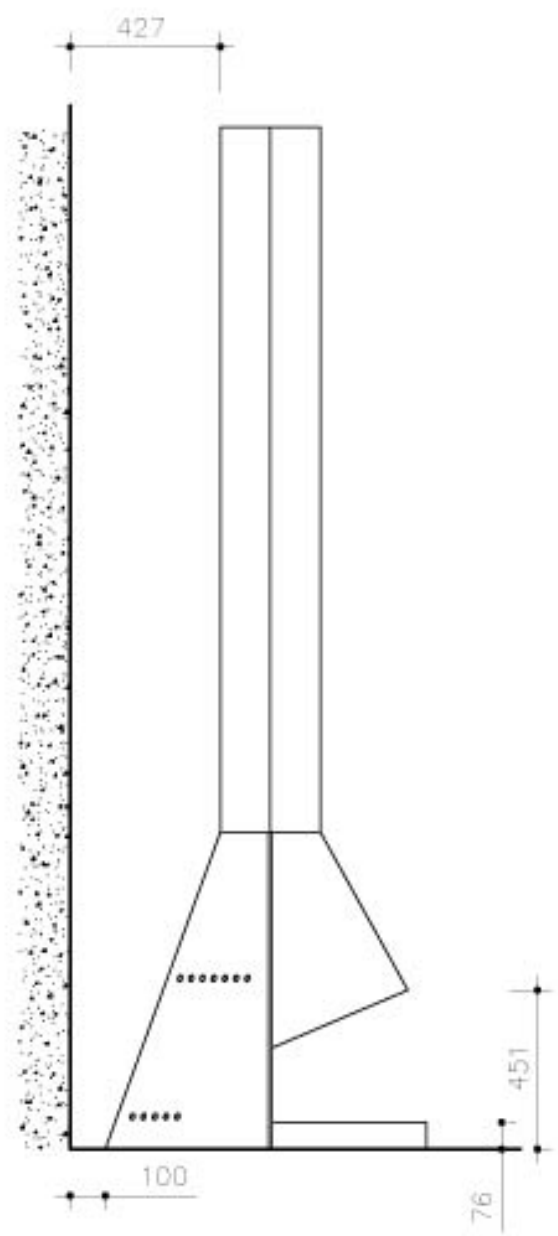
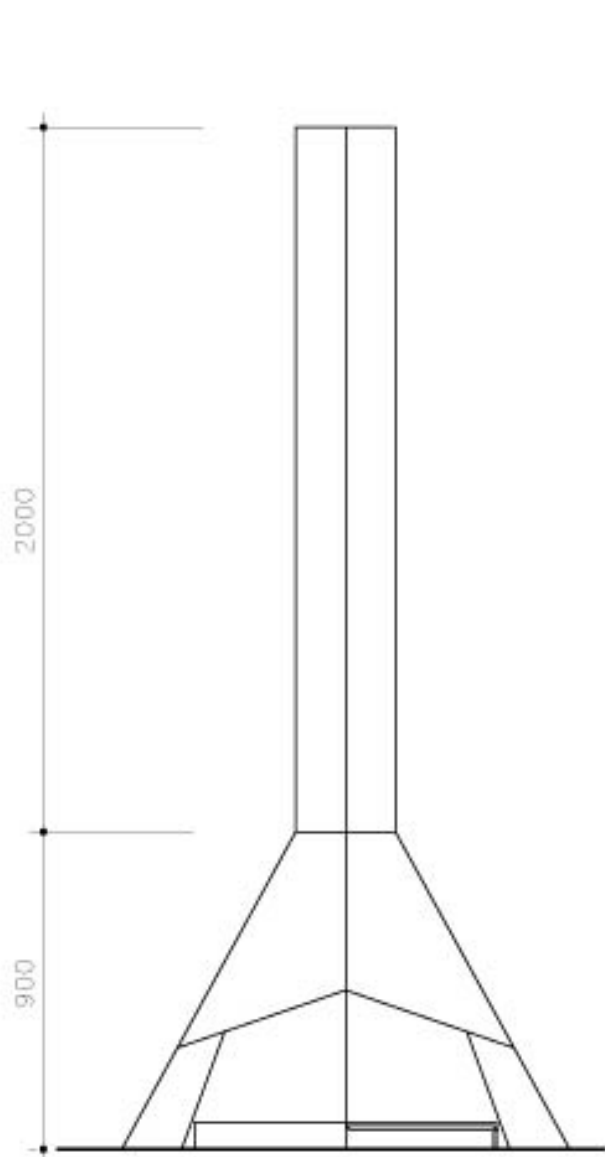
### TRANSPORT INFORMATION:

CAGE: 2200 x 500 x 600 mm. (Length x Height x Width) 500 x 1200 x 1200 mm.

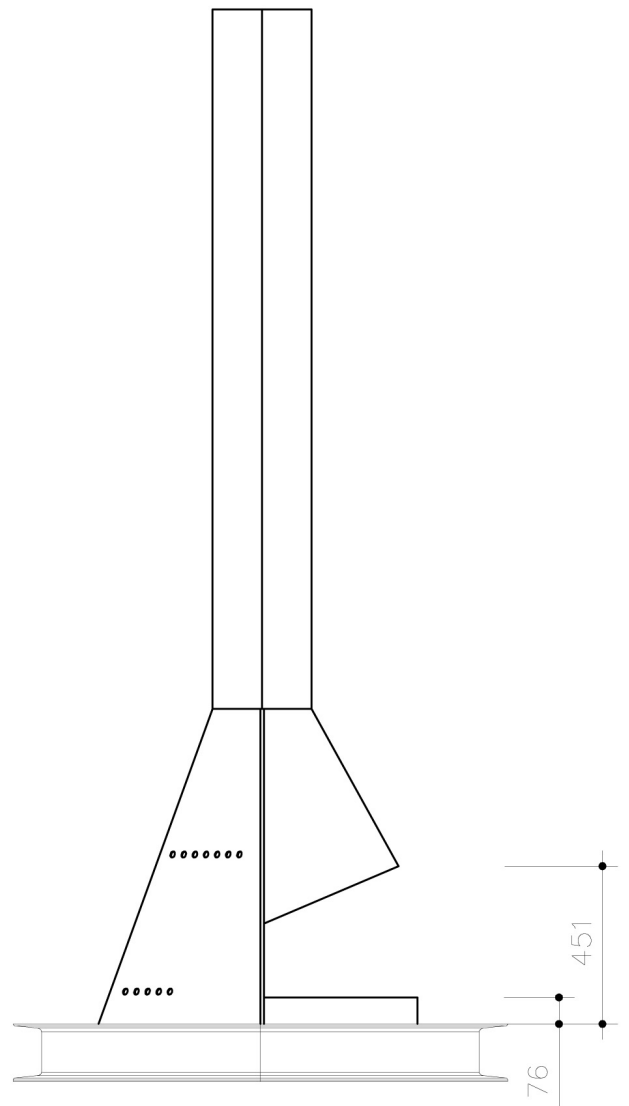
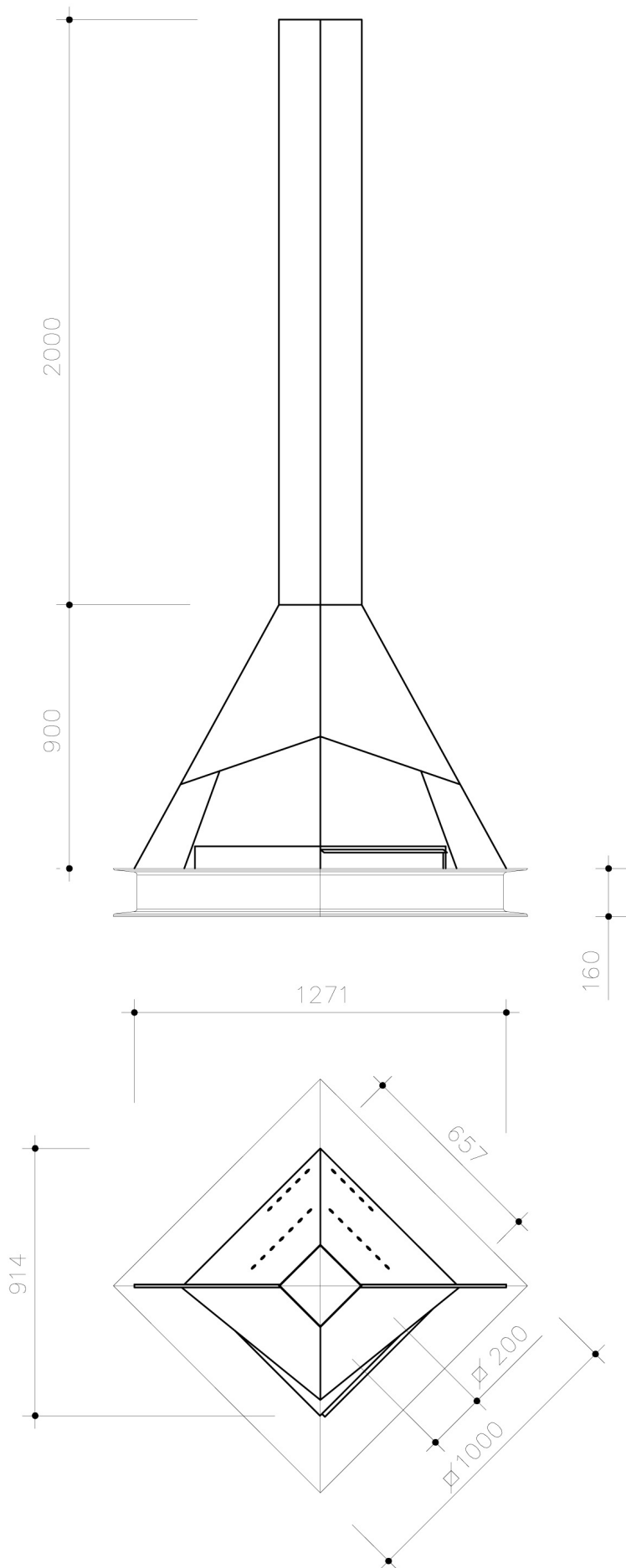
WEIGHT: 200 Kg.

TRUCK METERS: 2,6 m.

*DAE, SA reserves the right to make changes and / or changes in the products and specifications without notice.*



Chimenea COLISA  
 Diseño: Cardenal, Juan Carlos



**PEANA OPCIONAL NO INCLUIDA**



Chimenea COLISA con Peana  
Diseño: Cardenal, Juan Carlos