



## Fireplace Esplugas

### General data and commercial

Model: Esplugas  
RS: A/4  
Weight: 99 Kg.  
Width: 710 mm.  
Height: 2765 mm.  
Long: 510 mm.

### Construction details and material

**Hood & Tube:** Made of sheet steel polished 2mm thick.

**Ashes tray:** Made of plate steel polished 1mm thick.

**Grill:** Made of polished steel profile, T-shaped, 30 mm in width.

**Painting:** The set is painted with glaze anticaloric-component, with color matte black, with a thermal resistance of 950 ° C.

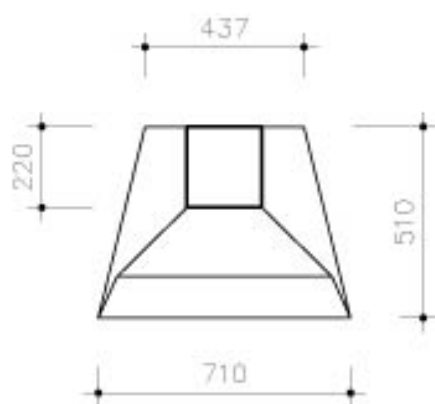
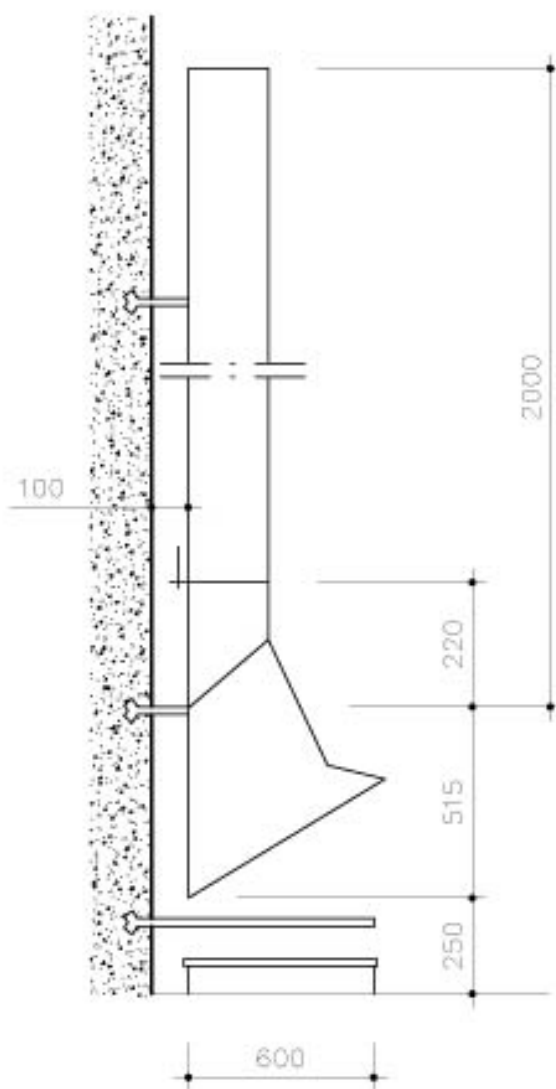
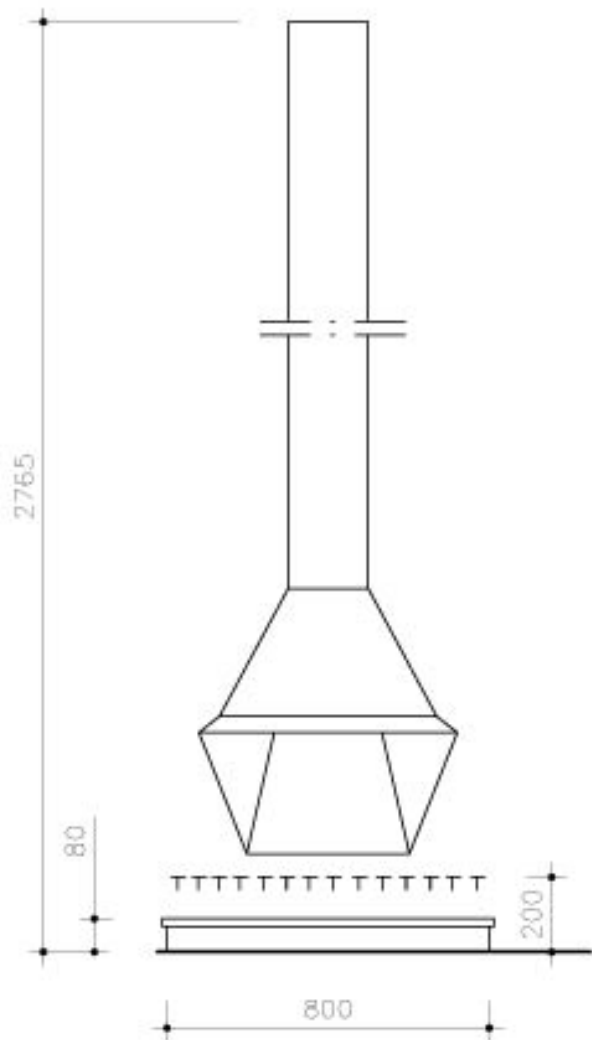
### TRANSPORT INFORMATION:

CAGE: 2700 x 840 x 900 mm. (Length x Height x Width)

WEIGHT: 119 Kg.

TRUCK METERS: 3,4 m.

*DAE Chimeneas reserves the right to make changes and / or changes in the products and specifications without notice.*



Chimenea ESPLUGAS  
 Diseño: Correa, F.  
 Milá, A.