



Fireplace Cerdanya 91

General data and commercial

Model: Cerdanya 91
RS: A/8
Weight: 79 Kg.
Width: 600 mm.
Height: 3055 mm.
Long: 600 mm.

Construction details and material

Fireplace: Set made of sheet steel polished 2mm thick

Tube: Made of sheet steel polished 2mm thick.
polished 1mm thick.

Grill: Made of cast iron GG-20 pearlitic.
Made of polished steel sheet perforated.

Painted with glaze anticaloric-component, with colour matte black, with a thermal resistance of 950 ° C.

Ashes tray: Made of plate steel

Door:

Painting: The set is

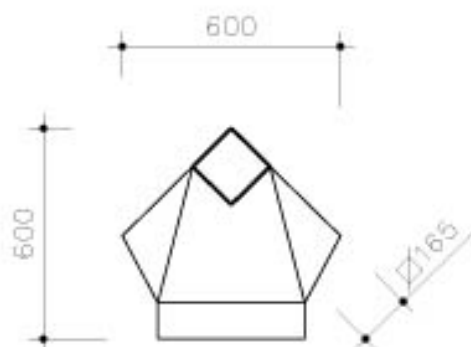
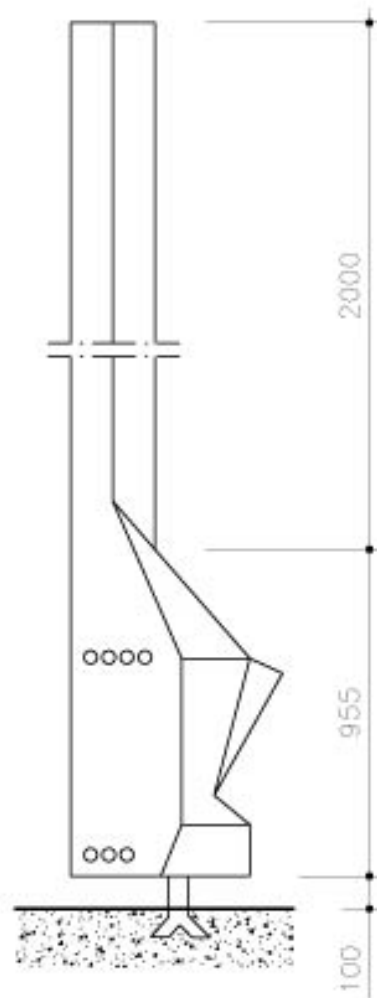
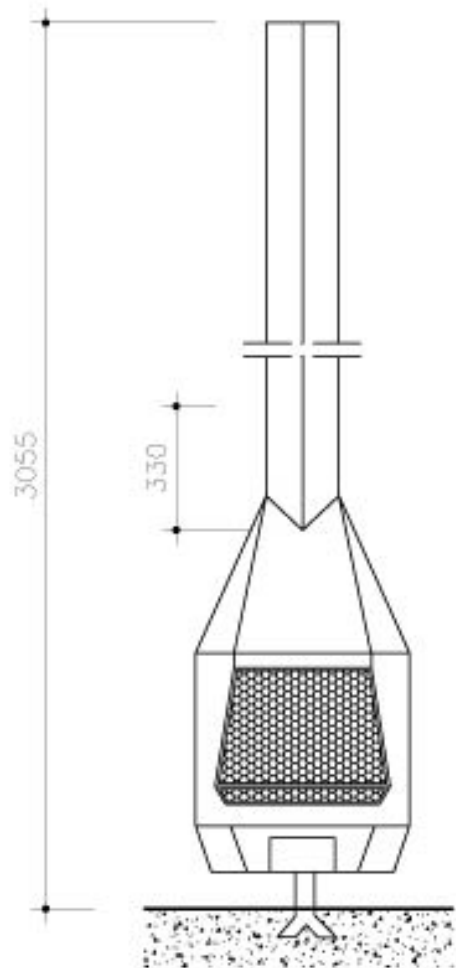
TRANSPORT INFORMATION:

CAGE: 3250 x 750 x 750 mm. (Length x Height x Width)

WEIGHT: 129 Kg.

TRUCK METERS: 3,4 m.

DAE Chimeneas reserves the right to make changes and / or changes in the products and specifications without notice.



DAE
CHIMENEAS

Chimenea CERDANYA 91
Diseño: Milá, Leopoldo