



## Fireplace Cadaques

### General data and commercial

Model: Cadaques  
RS: A/15  
Weight: 82 Kg.  
Width: 646 mm.  
Height: 3195 mm.  
Long: 402 mm.

### Construction details and material

**Fireplace:** Set made of sheet steel polished 2mm thick

**Tube:** Made of sheet steel polished 2mm thick.

**Ashes tray:** Made of plate steel polished 1mm thick.

**Grill:** Made of cast iron GG-20 pearlitic.

**Interior Section:** Made of plate steel polished 4mm thick. Between the inside section and the hood there is an air chamber.

**Painting:**

The set is painted with glaze anticaloric-component, with colour matte black, with a thermal resistance of 950 ° C.

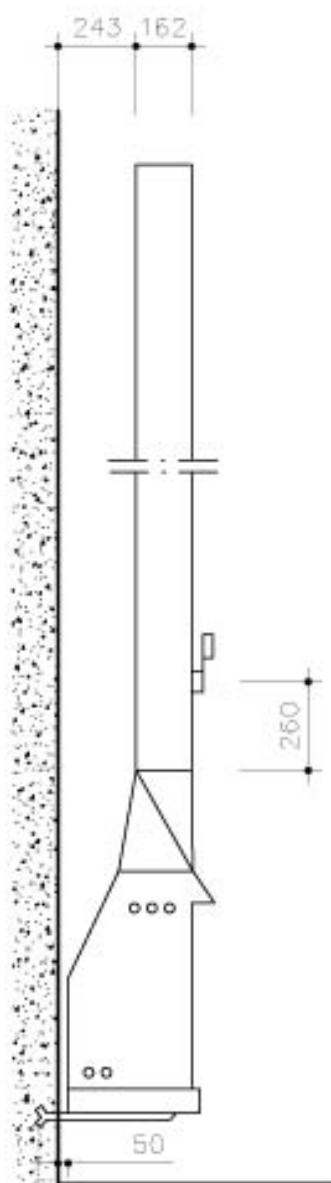
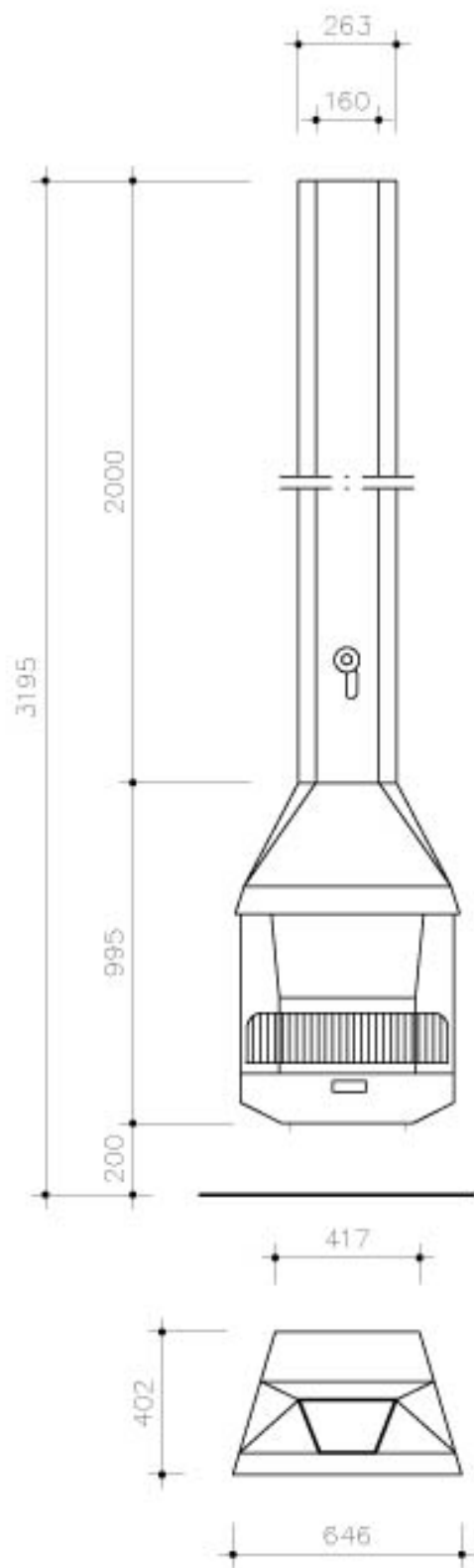
### TRANSPORT INFORMATION:

CAGE: 3100x 750 x 600 mm. (Length x Height x Width)

WEIGHT: 132 Kg.

TRUCK METERS: 3,4 m.

*DAE Chimeneas reserves the right to make changes and / or changes in the products and specifications without notice.*



  
**CHIMENEAS**  
 Chimenea CADAQUES  
 Diseño: Milá, Leopoldo