



## Fireplace Clotus

### General data and commercial

Model: Clotus  
RS: A/5  
Weight: 71 Kg.  
Width: 500 mm.  
Height: 2970 mm.  
Long: 560 mm.

### Construction details and material

**Fireplace:** Set made of sheet steel polished 2mm thick

**Tube:** Made of sheet steel polished 2mm thick.

**Ashes tray:** Made of plate steel polished 1mm

thick.

**Grill:** Made of cast iron GG-20 pearlitic.

**Interior Section:** Made of plate steel polished 4mm thick. Between the inside section and the hood there is an air chamber.

**Painting:**

The set is painted with glaze anticaloric-component, with colour matte black, with a thermal resistance of 950 ° C.

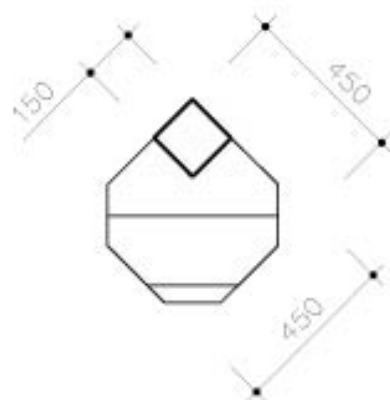
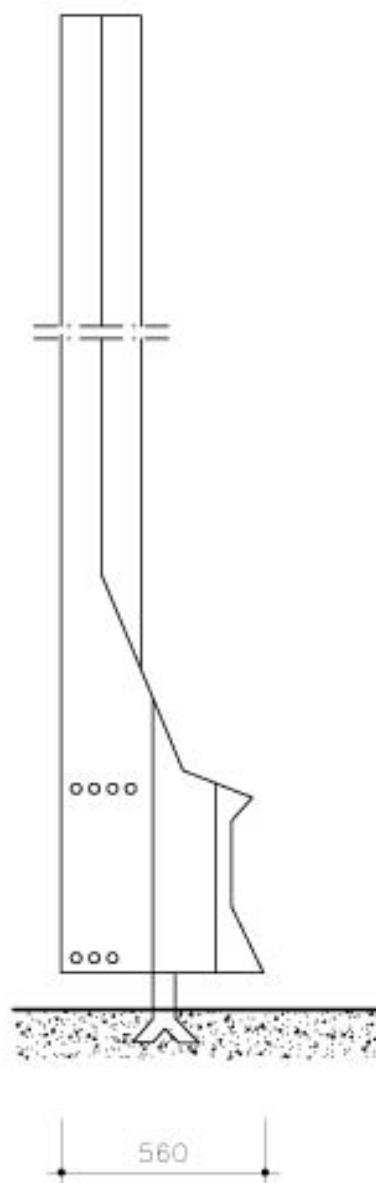
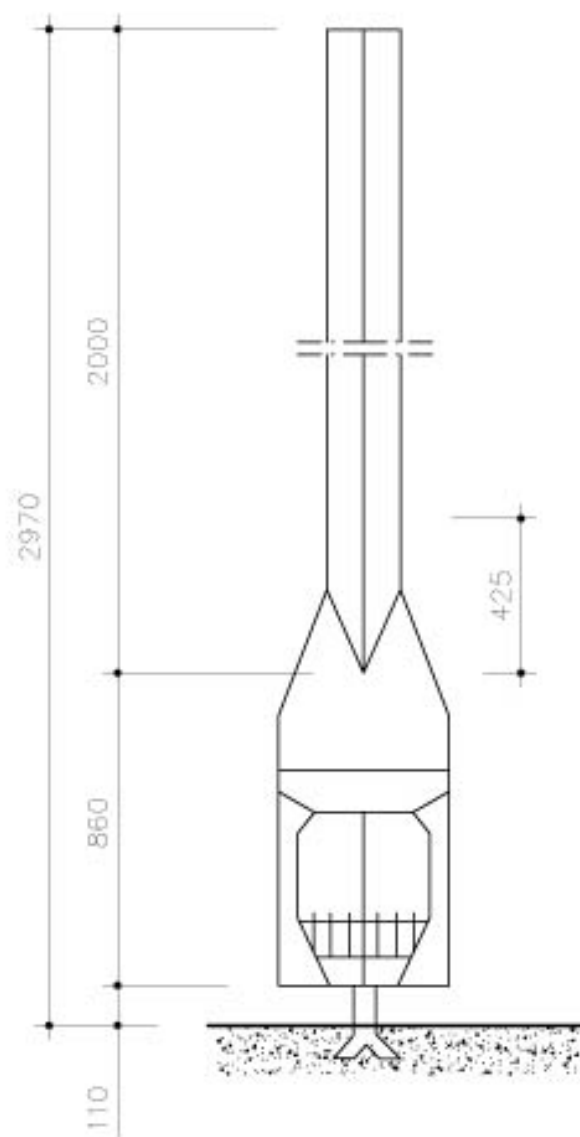
### TRANSPORT INFORMATION:

CAGE: 3250 x 600 x 600 mm. (Length x Height x Width)

WEIGHT: 121Kg.

TRUCK METERS: 3,4m.

*DAE Chimeneas reserves the right to make changes and / or changes in the products and specifications without notice.*



Chimenea CLOTUS  
Diseño: Clotet, Lluís  
Tusquets, Óscar